

## 5-YEAR GUARANTEE

On shower door and hardware while a 2 year warranty applies to the protective repellent film . EVO warrants acrylic units(shower base ) to be free from defects in workmanship and materials under normal use and service for a period of five years from the initial date of purchase by the owner/ end-user, contractor or builder from an authorized dealer.

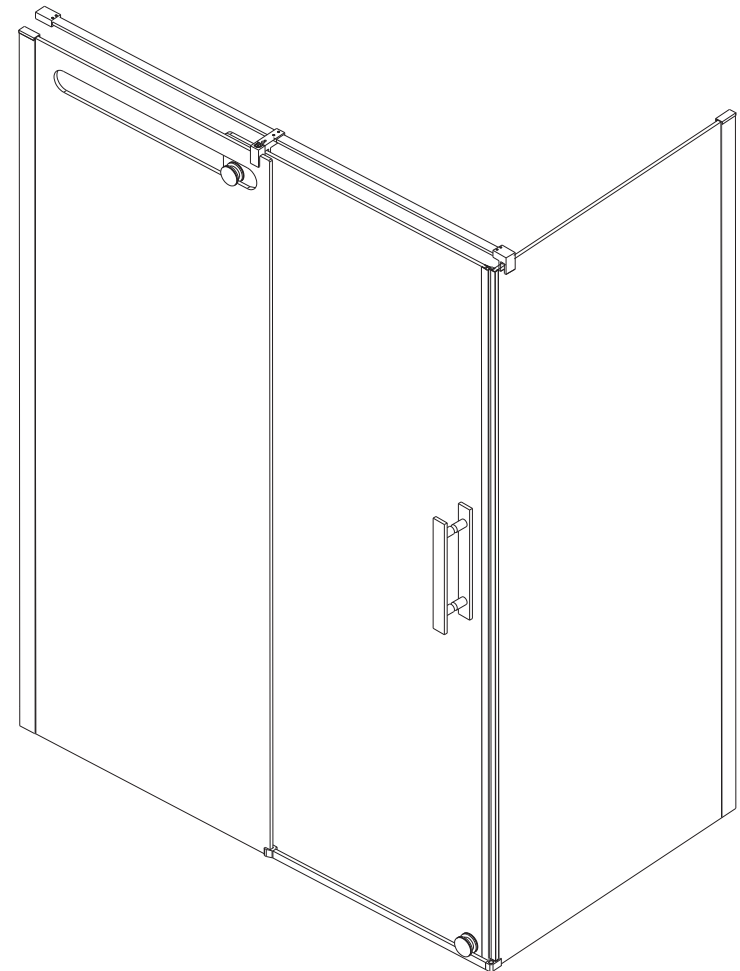
## SAFETY

TEMPERED GLASS (10MM). In the EVO Shower Door, special heat-treated safety glass is used, which is more impact, shock and temperature-resistant. If the glass breaks, glass granules form, reducing the danger of injury considerably.



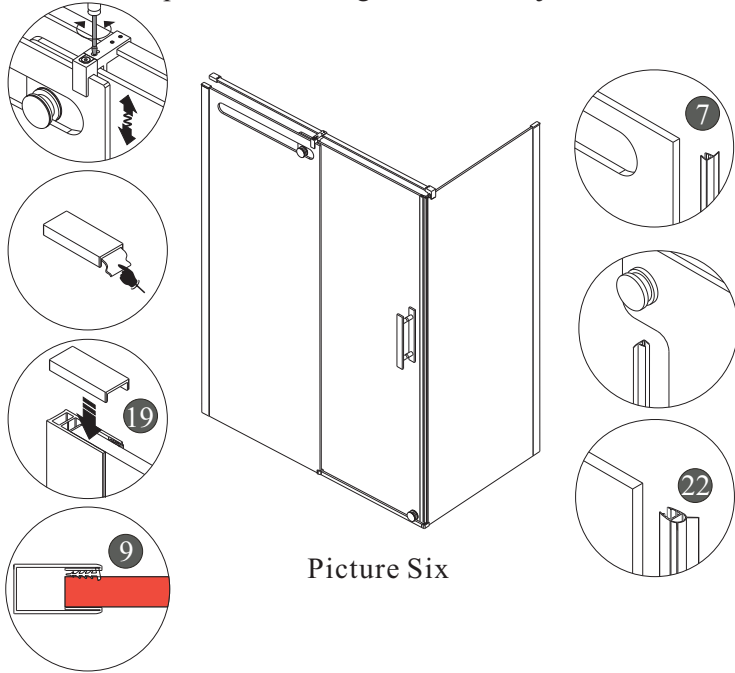
# MCS303 SHOWER ROOM INSTALLATION MANUAL

THIS MANUAL APPLIES TO ALL 60"  
AND 72" SERIES SHOWER ROOM



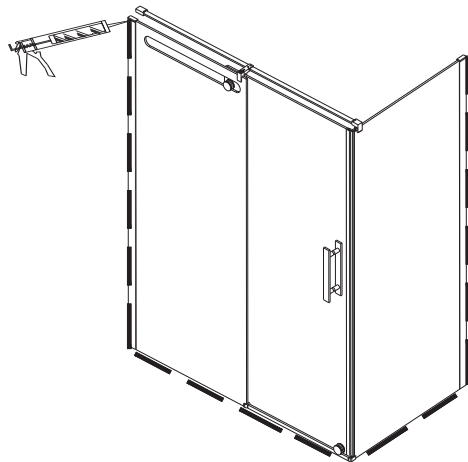
Address:333,Avenue  
Marien,Montreal  
Est(Quebec)H1B5J3  
Tel:514.645.5959  
Web:www.evos.ca

4.Adjustment.Install cap,Vertical water guard and wall jamb seal.

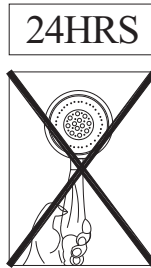


Picture Six

5.Silicone/Caulking

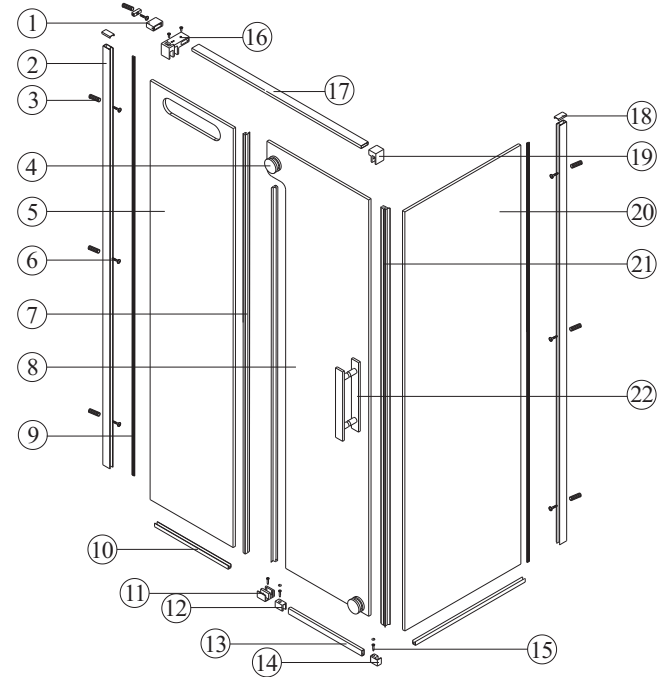


Picture Seven



Caution: Make sure the siliconed position is completely dry in 24 hours after caulking.

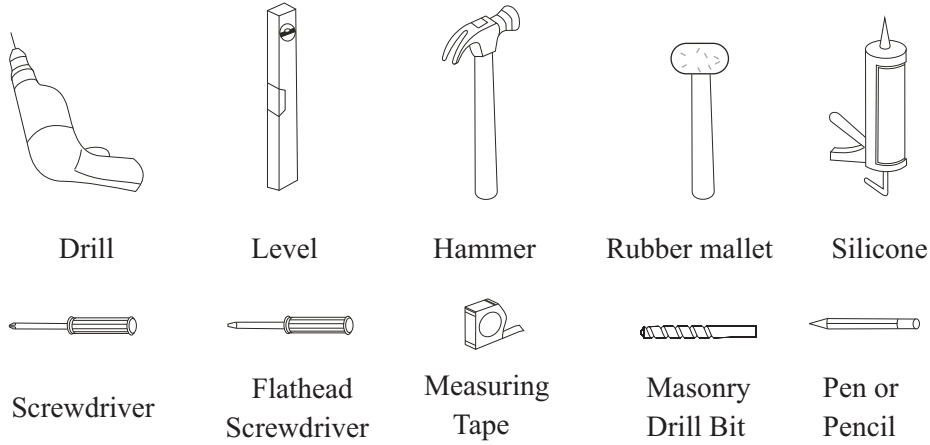
## COMPONENT LIST



## COMPONENT LIST

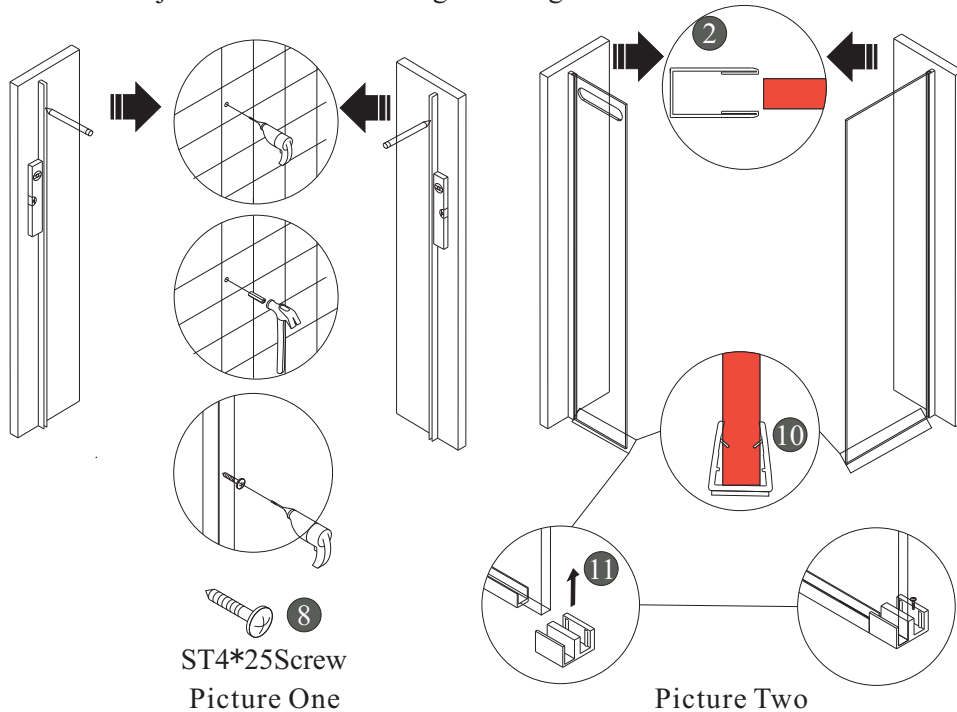
NO.	NAME	Picture	Qty	NO.	NAME	Picture	Qty	NO.	NAME	Picture	Qty
1	Wall Mount Assembly		1	9	Wall Jamb Seal		2	17	Rail		1
2	Wall Jamb		2	10	Bottom Water Guard		2	18	Cap		2
3	Wall Anchor		7	11	Guide Block		1	19	Glass Chrome Bracket		1
4	Wheel		2	12	Catching Bracket		1	20	Flexible Glass Panel		1
5	Fixed Panel		1	13	Threshold		1	21	Door Bumper Seal		1
6	ST4*25		7	14	Catching Bracket		1	22	Handle		1
7	Vertical Water Guard		2	15	ST4*18		4				
8	Flexible Glass Panel		1	16	Chrome 90 Join Bar Bracket		1				

## REQUIRED TOOLS

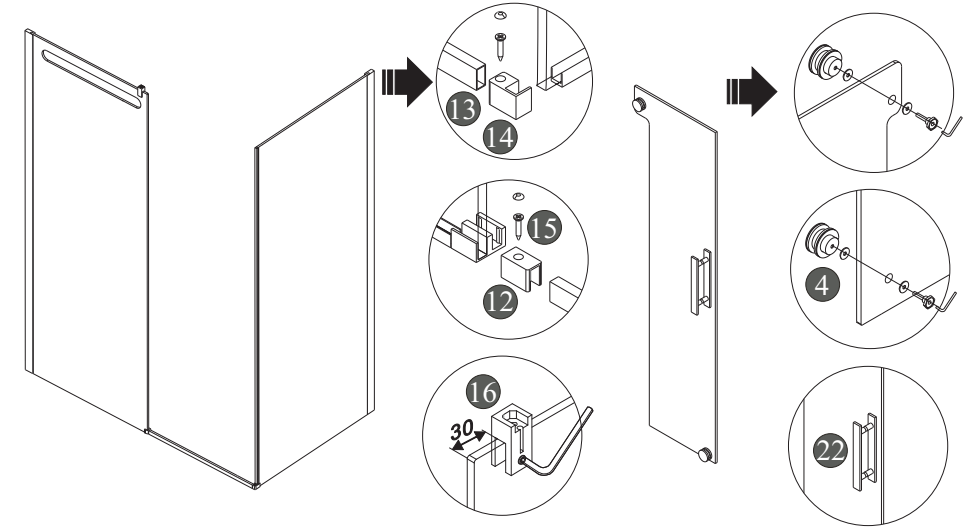


## INSTALLATION STEPS

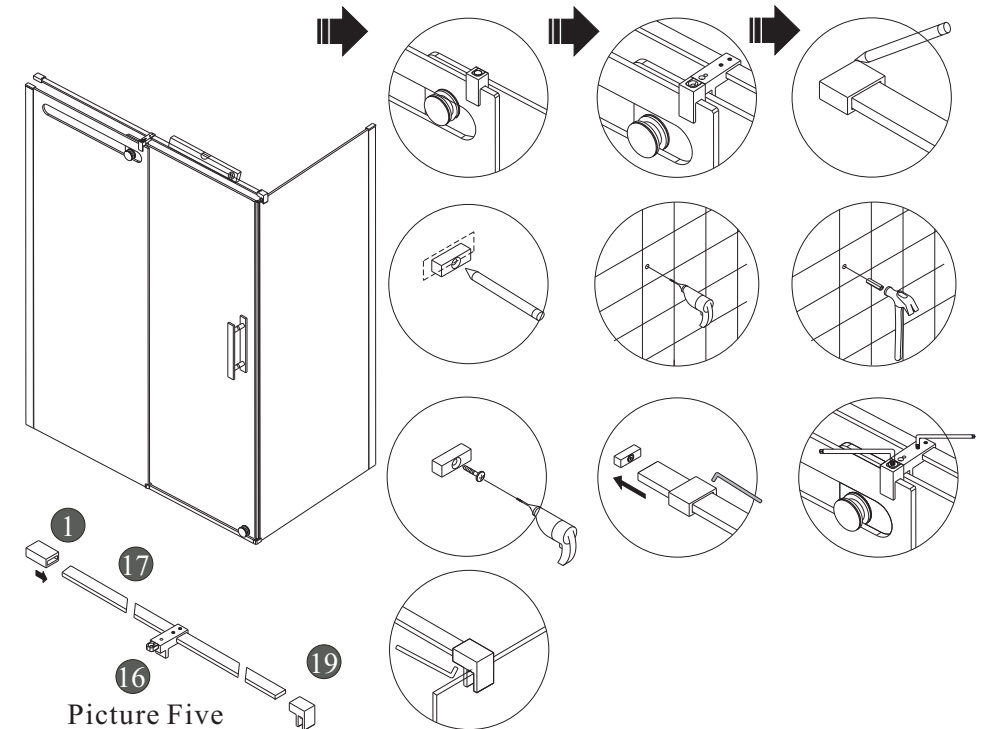
1. Mark holes onto the wall using a pen or pencil. Drilling holes and install wall jamb and wall jamb seal. Install fixed glass and guide block.



2. Install catching threshold bracket and threshold. Install wheels and handle.



3. Fit the flexible glass panel on the guide rail.



## IMPORTANT NOTES

Thank you for buying EVO shower door!

Before you begin, please take a few minutes to reading the following notes and record your product information. Keep these instructions in a safe place for future reference.

We recommend that you read through entire manual BEFORE beginning the installation.

Please ensure that your shower base is properly installed against the 2x4 stud frame and that it is perfectly leveled.

Inspect your unit upon opening. If any hardware or glass panels are damaged in any way, contact EVO immediately. Do not install damaged units.

Ensure that the bottom edges of your glass panels are always protected during installation (you can use the cardboard box supplied with your unit).Also, please note that all glass panels are tempered. Exercise caution at all times in order to prevent chipping or cracking your glass.

NEVER install glass panels that are either chipped, cracked or damaged in any other way.

Please check your glass panels carefully before installation. If your glass panels are damaged, please contact EVO (514.645.5959). Tempered glass becomes hazardous once it is damaged.

PRODUCT INFO: \_\_\_\_\_

SERIAL#: \_\_\_\_\_

DATE OF PURCHASE: \_\_\_\_\_

WHERE PURCHASED: \_\_\_\_\_

## WARRANTY

### LIMITED WARRANTY

If defects should occur despite our careful manufacture and strict quality control, please observe the following guarantee conditions: Please supply a copy of your purchase order and invoice number when reporting damage. These are prerequisites of the guarantee.

The guarantee claim does not lengthen the duration of the guarantee, which is always valid from the purchase date. In case of defect or faulty product operation, please refer exclusively to your bathroom dealer.

### EVO IS NOT LIABLE

For damages due to improper installation.

For damages due to improper use.

For damages due to the performance of unauthorized modifications or faulty repairs.

### SCOPE OF GUARANTEE

EVO covers defects in fabrication and materials; but does not cover the following:

Transport damage, ordering errors, installation damage, operating and care errors, damage due to use of cosmetics & coloring liquids, difference in colors, surface imperfections necessary for manufacture , and parts subject to wear and tear.

EVO reserves the right of repair or replacement. Installation and dismantling costs, including those by third parties, shall be accepted only when previously agreed in writing. Please return any shipments post unpaid to your supplier. Guarantee arrangements may follow after subsequent inspection by our quality control department.

### CARE & MAINTENANCE

IN ORDER FOR YOUR EVO SHOWER DOORS TO KEEP ITS ATTRACTIVE LOOKS FOR MANY YEARS, PLEASE OBSERVE THE FOLLOWING CARE:

Rinse glass with clean water after showering. Remove water droplets with a squeegee or a soft cloth. For hygienic and easy cleaning of your EVO product, we recommend biologically degradable cleansers. Regular care prevents stubborn stains and ensures a clean and hygienic surface for many years. Important: Do not under any circumstances use lime solvents or abrasive or corrosive cleansers. Otherwise the surfaces of the glass and hardware could be damaged. Use only cleansers specifically designed for chrome on chrome-plated parts.